

# FLOOR STANDING UNIT

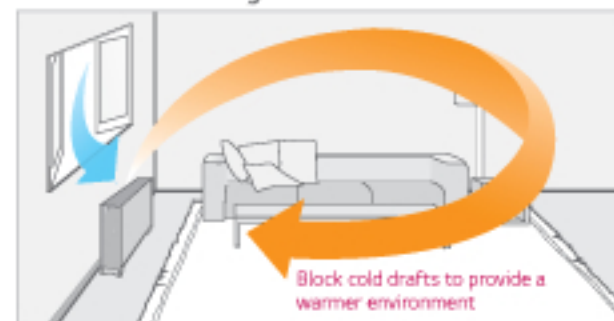
## Block Cold Draft

The floor standing unit can block cold drafts from windows to provide a warmer environment for places such as libraries and offices.

### Without Floor Standing

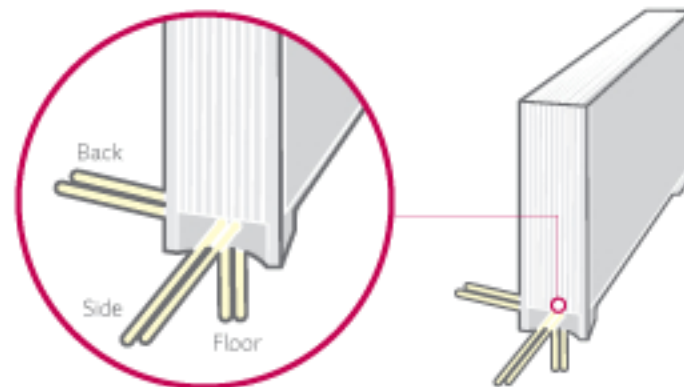


### With Floor Standing



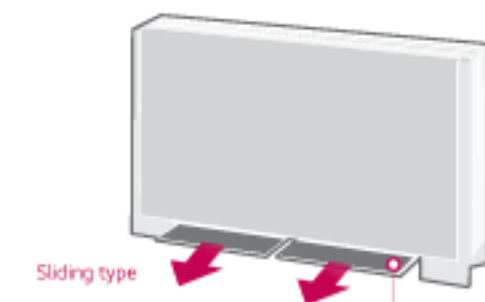
## 3 way Flexible Installation

It is possible to install and connect the outdoor unit in 3 different ways (side, back, floor).

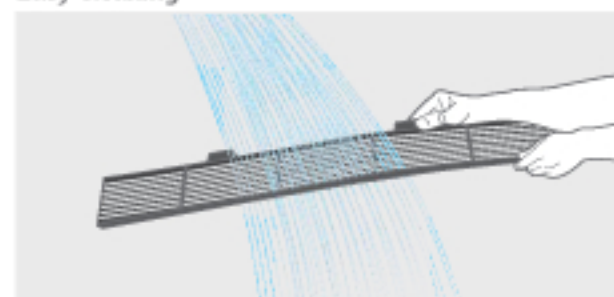


## Sliding Type Filter

Easy maintenance and extended product life with sliding type filter.



### Easy cleaning



# FLOOR STANDING UNIT

ARNU07GCE\*4 / ARNU09GCE\*4 / ARNU12GCE\*4  
ARNU15GCE\*4 / ARNU18GCF\*4 / ARNU24GCF\*4



-A : Floor standing with case

-U : Floor standing without case

Model	Independent Unit		ARNU07GCE*4	ARNU09GCE*4	ARNU12GCE*4	ARNU15GCE*4	ARNU18GCF*4	ARNU24GCF*4
Capacity	Cooling	Nom kW	2.2	2.8	3.6	4.5	5.6	7.1
	Heating	Nom kW	2.5	3.2	4.0	5.0	6.3	8.0
Power Input	Cooling	Nom W	85.0	85.0	85.0	85.0	115.0	115.0
	Heating	Nom W	85.0	85.0	85.0	85.0	115.0	115.0
Power Supply		Φ/V/Hz	1/220-240/50,60	1/220-240/50,60	1/220-240/50,60	1/220-240/50,60	1/220-240/50,60	1/220-240/50,60
Airflow Rate	Cooling	H/M/L m <sup>3</sup> /min	8.5 / 7.5 / 6.5	9.5 / 8.5 / 7.5	10.5 / 9.5 / 8.5	11.5 / 10.0 / 9.5	16.0 / 14.0 / 12.0	18.0 / 16.0 / 14.0
	Heating	H/M/L m <sup>3</sup> /min	8.5 / 7.5 / 6.5	9.5 / 8.5 / 7.5	10.5 / 9.5 / 8.5	11.5 / 10.0 / 9.5	16.0 / 14.0 / 12.0	18.0 / 16.0 / 14.0
Sound Pressure		H/M/L dBA	35 / 33 / 31	36 / 34 / 32	37 / 35 / 33	38 / 37 / 35	40 / 37 / 34	43 / 40 / 37
Sound Power		H/M/L dBA	54 / 52 / 50	55 / 53 / 51	57 / 55 / 53	59 / 58 / 56	60 / 57 / 54	61 / 60 / 57
Dimensions	Body	WxHxD mm	1,067 x 635 x 203	1,067 x 635 x 203	1,067 x 635 x 203	1,067 x 635 x 203	1,345 x 635 x 203	1,345 x 635 x 203
Net Weight <sup>1)</sup>		kg	27(20)	27(20)	27(20)	27(20)	34(27)	34(27)
	Liquid	mm	Ø6.35	Ø6.35	Ø6.35	Ø6.35	Ø6.35	Ø9.52
Piping Connection	Gas	mm	Ø12.7	Ø12.7	Ø12.7	Ø12.7	Ø12.7	Ø15.88
	Drain	ID mm	12.0	12.0	12.0	12.0	12.0	12.0
Fan Motor Output x Number		W	19 x 1, 5 x 1	19 x 1, 5 x 1	19 x 1, 5 x 1	19 x 1, 5 x 1	19 x 2	19 x 2

\* This product contains Fluorinated Greenhouse Gases (R410A)

<sup>1)</sup> Floor standing with case (without case)

Note :

1. Capacities are based on the following conditions

Cooling - Indoor temp. 27°C(80.6°F)DB / 19°C(66.2°F)WB  
Outdoor temp. 35°C(95°F)DB / 24°C(75.2°F)WB  
Interconnecting piping length 7.5m  
Level difference of zero

Heating - Indoor temp. 20°C(68°F)DB / 15°C(59°F)WB  
Outdoor temp. 7°C(44.6°F)DB / 6°C(42.8°F)WB  
Interconnecting piping length 7.5m  
Level difference of zero

2. Due to our policy of innovation some specifications may be changed without notification

3. ID - Internal Diameter<sup>2)</sup>

4. This model is available from May '15

## Accessories

Model	ARNU07GCE*4	ARNU09GCE*4	ARNU12GCE*4	ARNU15GCE*4	ARNU18GCF*4	ARNU24GCF*4
Dry Contact	Simple (1 Contact point without case)					PQDGA
	Simple (1 Contact point with case)					PQRYCB000
	2 Contact point					PQRYCB400
	For Thermostat (On-off / Mode / Fan speed)					PQRYCB300
	Modbus Communication					PQRYCB500

Wired Remote Controller					Wired Remote Controller
Premium	Standard II		Simple	Simple for Hotel	
PREMTA000 PREMTA00A PREMTA00B	PREMTB001 (White)	PREMTB01 (Black)	PQRCVCL0Q (Black) PQRCVCL0QW (White)	PQRCICA0Q (Black) PQRCICA0QW (White)	PQVRHQ0FB